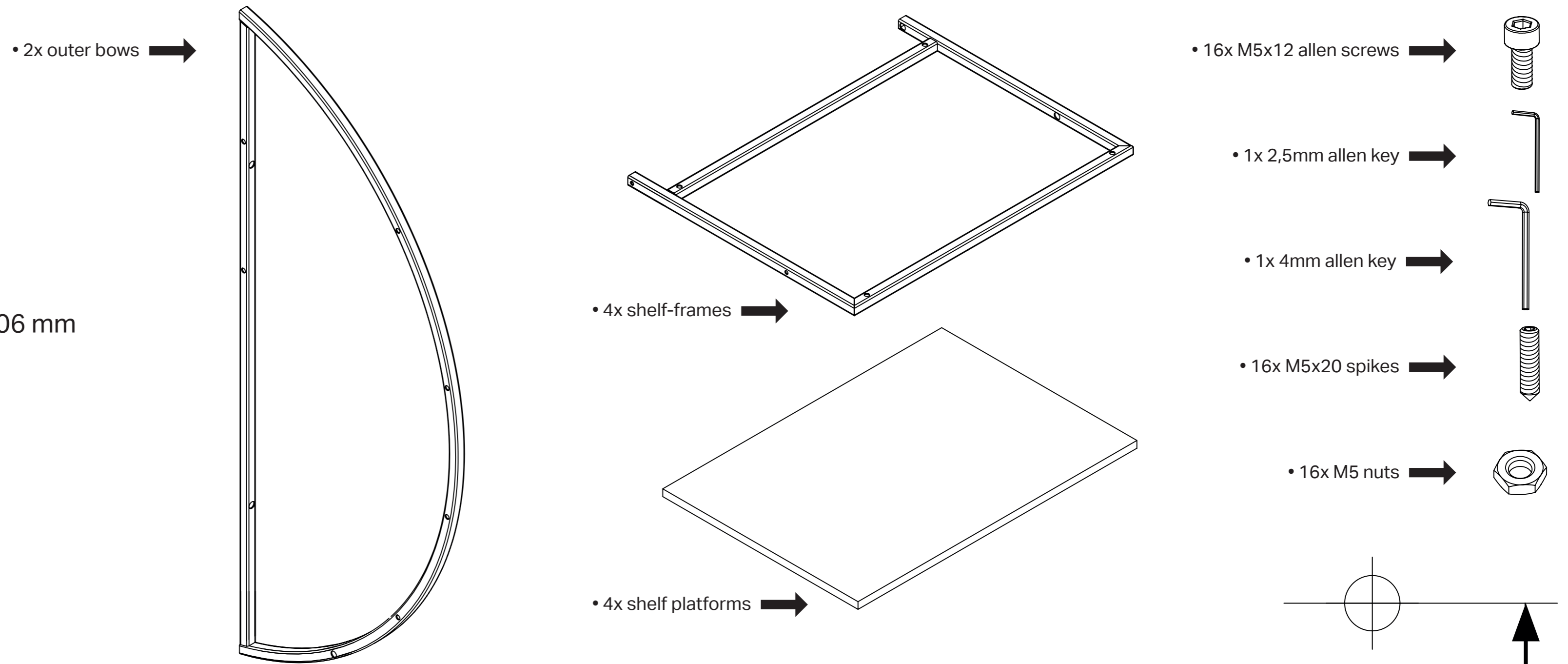


Wallmount it Rack 5/4

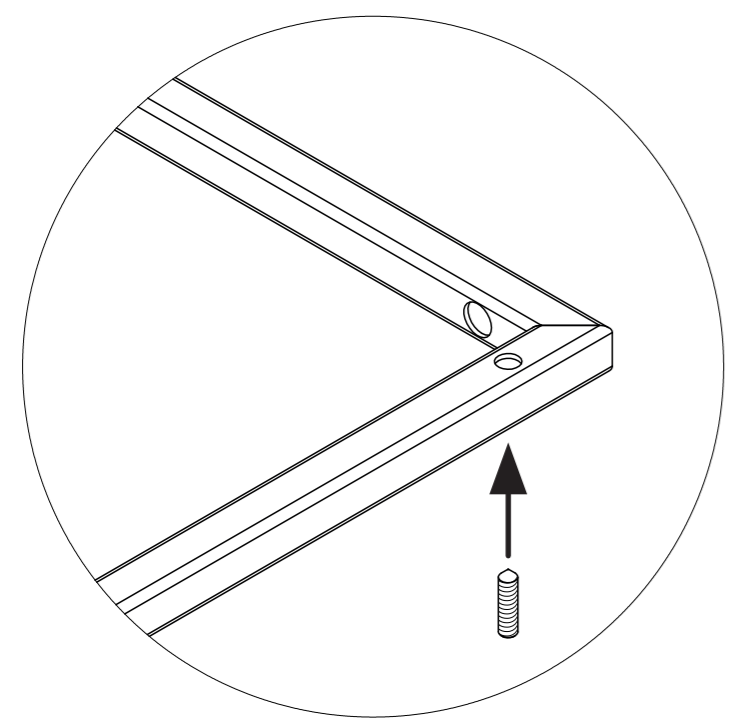
Size: 530 × 1000 × 406 mm
 Weight: 12,6 Kg
 Shelf Surface: 498 × 355 mm
 Maximum height between shelves: 167 mm
 Space between wall and shelf for cables: 50mm
 Maximum weight load per shelf*: 50kg*



Before assembly please make sure all parts are included.

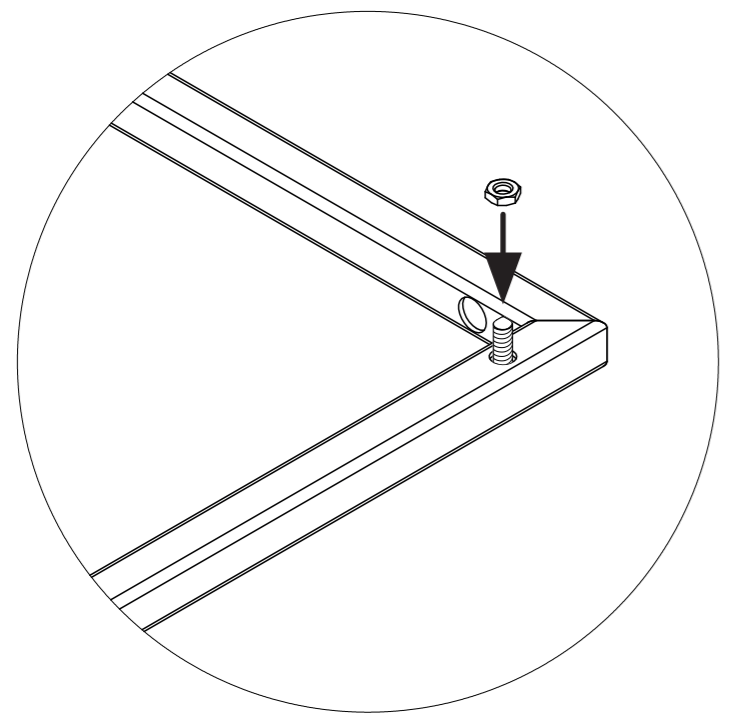
Step 1

Take each shelf frame and screw the spikes into the 4 threaded holes using the 2,5mm Allen key. Make sure that the threaded hole, as well as the spikes, are facing upward. Each spike should protrude at the same length from the frame.



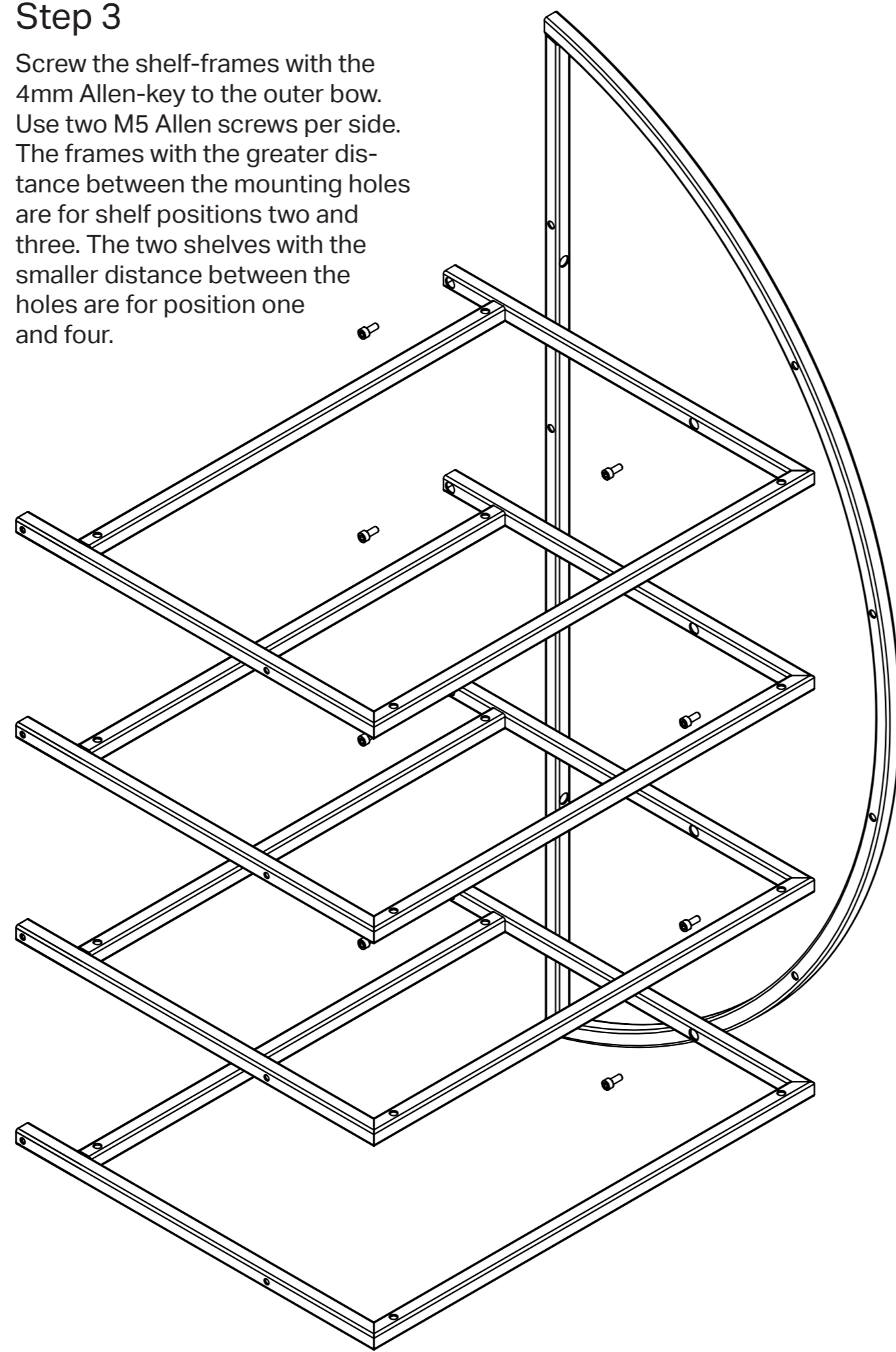
Step 2

Fasten the spikes with the nut from the top. Careful: spikes are pointy.



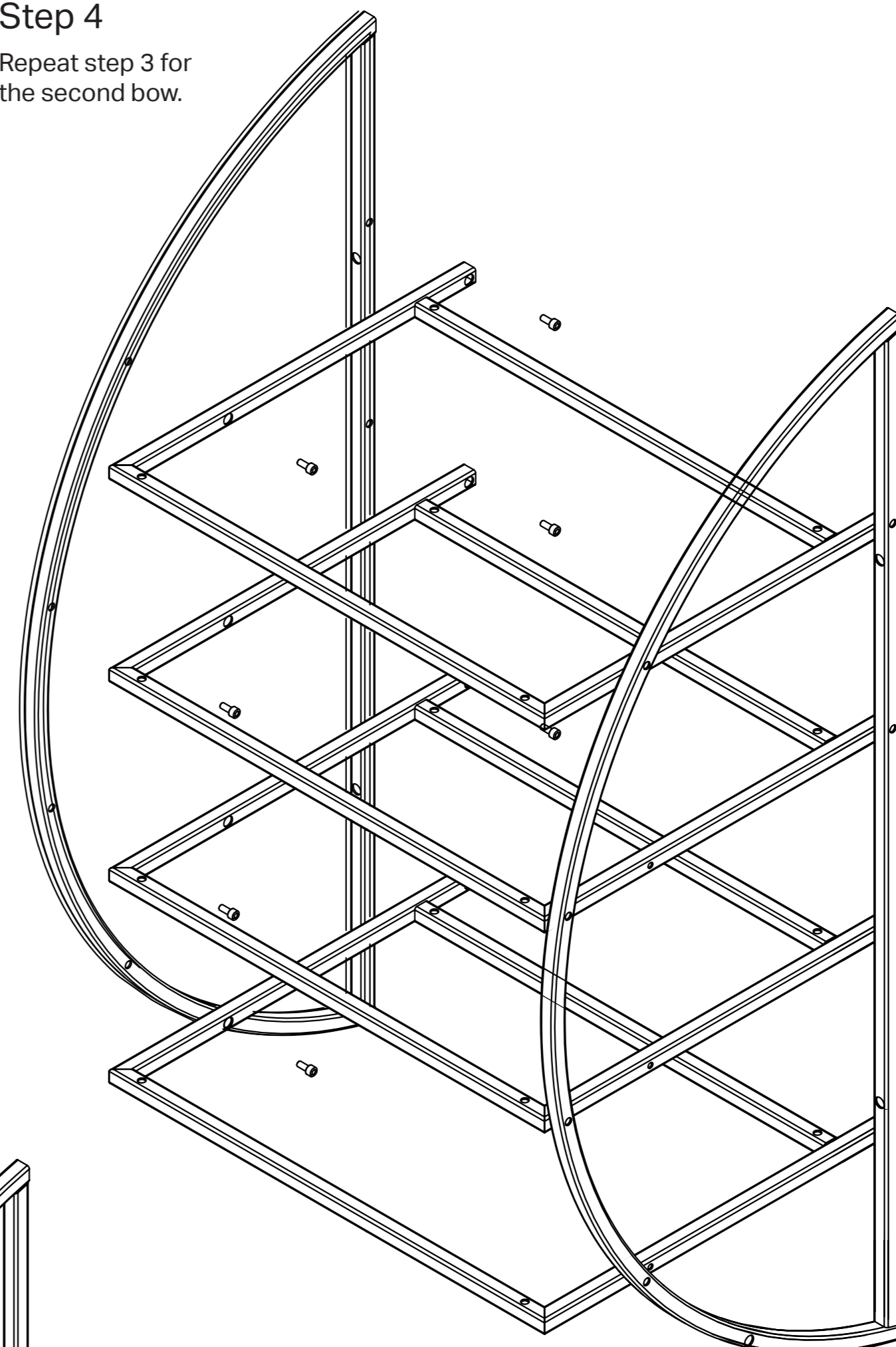
Step 3

Screw the shelf-frames with the 4mm Allen-key to the outer bow. Use two M5 Allen screws per side. The frames with the greater distance between the mounting holes are for shelf positions two and three. The two shelves with the smaller distance between the holes are for position one and four.



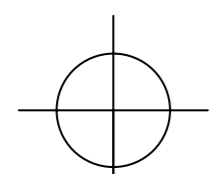
Step 4

Repeat step 3 for the second bow.



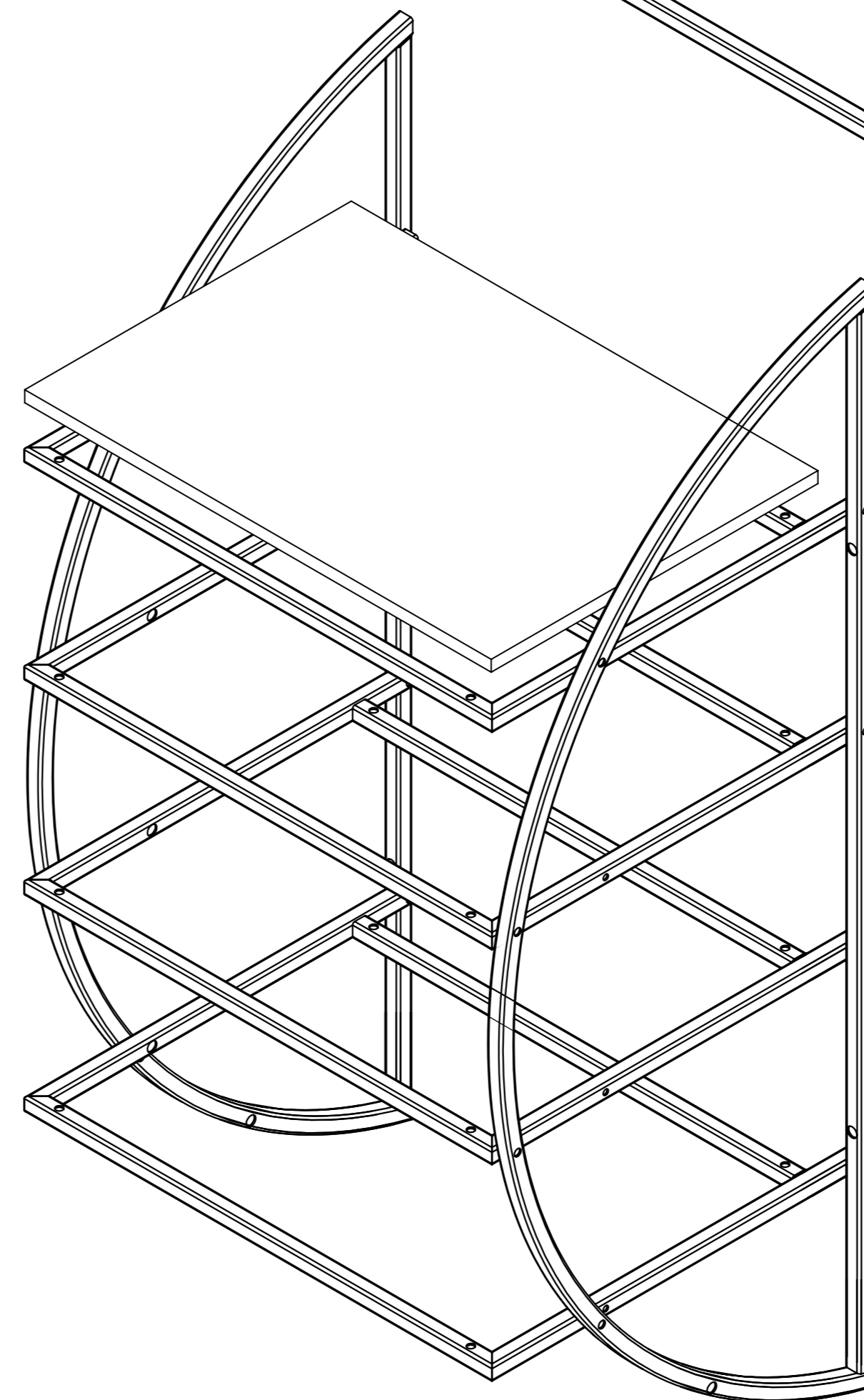
Step 5

Use the supplied template and a spirit level to mark the four drill holes for mounting to the wall. Drill 4 holes to accommodate the required wall anchors for your wall material and screw the rack to the wall with four screws (wall anchors and mounting screws not included).



Step 6

Place the shelf platforms on the spikes of the frames starting at the bottom. Use a spirit level to align the shelves exactly if necessary and retighten the bolts. Place your components on the shelves – do not exceed the permitted weight per shelf (50 kg).



516,2mm

528,3mm

Maximum load per shelf board: 50kg.

***CAUTION: THE MAXIMUM WEIGHT OF THE RACKSYSTEM DEPENDS HIGHLY ON THE WALL MATERIAL USED FOR MOUNTING. ALWAYS USE SUITABLE WALL ANCHORS AND SCREWS FOR THE INTENDED WEIGHT.**

PRO-JECT AUDIO SYSTEMS CANNOT BE HELD LIABLE FOR ANY DAMAGE CAUSED BY UNSUITABLE MOUNTING!!!

Outer edge of the rack