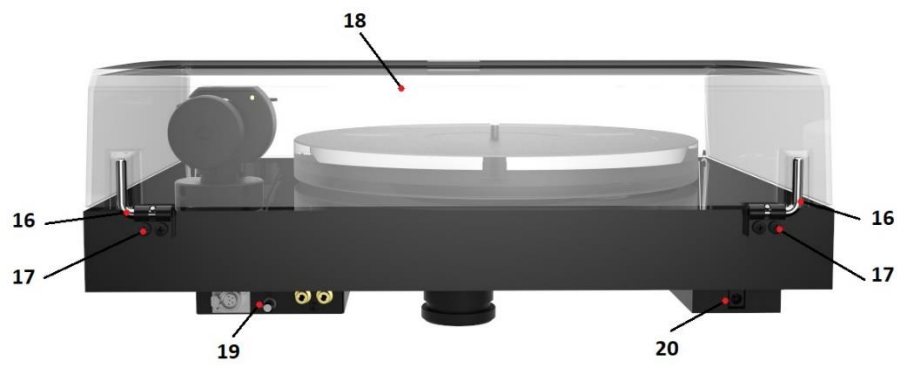
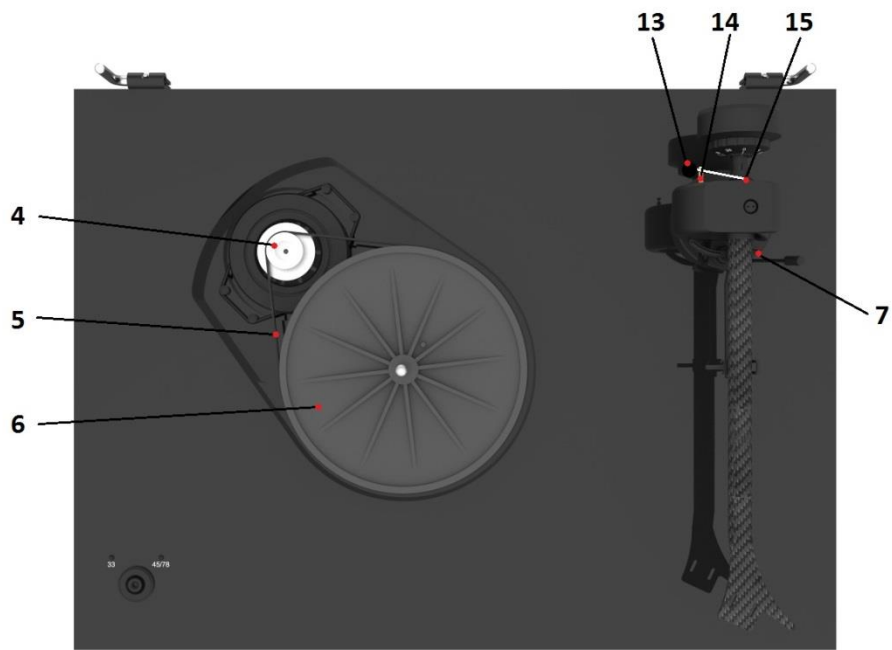
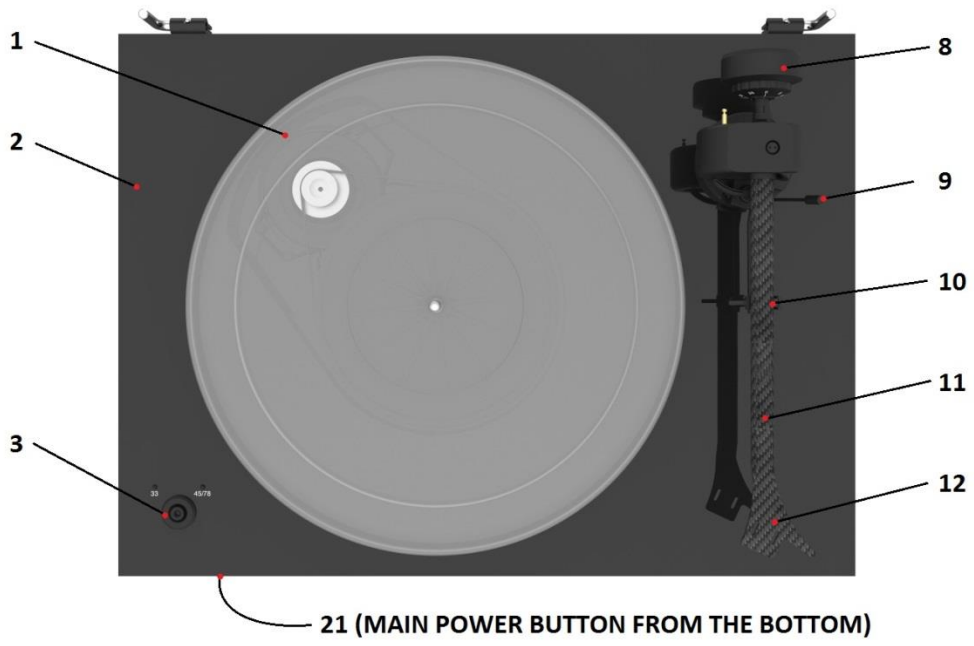


Pro-Ject
AUDIO SYSTEMS

INSTRUCTIONS FOR USE
X2B



X2B

Controls, features and connections

- (1) MAIN PLATTER
- (2) CHASSIS
- (3) SPEED CONTROL
- (4) MOTOR WITH MOTOR PULLEY
- (5) DRIVE BELT
- (6) SUB-PLATTER
- (7) TONEARM FLANGE
- (8) TONEARM COUNTERWEIGHT
- (9) TONEARM LIFT
- (10) TONEARM REST AND REMOVABLE TRANSPORT LOCK
- (11) CARBON / ALUMINIUM TONEARM TUBE
- (12) HEADSHELL WITH FINGER LIFT
- (13) ANTI-SKATING WEIGHT WITH THREAD
- (14) ANTI-SKATING WEIGHT SUPPORT
- (15) ANTI-SKATING STUB WITH ANTI-SKATING ADJUSTMENT SCALE
- (16) LID HINGE
- (17) HINGE FASTENERS
- (18) LID
- (19) PHONO OUTPUT SOCKET WITH MINI XLR AND RCA OUTPUT
- (20) POWER SUPPLY SOCKET
- (21) MAIN POWER BUTTON

Turntable accessories

- (1) Setup guide
- (2) Cartridge alignment protractor
- (3) Anti-skating weight
- (4) Allen key 1.5mm (for Azimuth setting)
- (5) Allen key 2mm (for cartridge change)
- (6) Allen key 3mm (for VTA adjustment)
- (7) Counterweight no. **31** for cartridges with weight between **7 - 12g**
- (8) Single adaptor
- (9) Connect IT E RCA 1,23m
- (10) Universal power supply
- (11) Round drive belt for 78 r.p.m.
- (12) White cotton gloves

CONTENTS

TURNTABLE OVERVIEW	2 - 3
ACCESSORIES OVERVIEW	3

SETUP AND INSTALLATION

1. PLATTER AND DRIVE BELT ASSEMBLY	6
2. MOUNTING AND CONNECTING THE CARTRIDGE	6
3. CARTRIDGE DOWNFORCE ADJUSTMENT	6 - 7
4. ANTI-SKATING FORCE ADJUSTMENT	7
5. CONNECTION TO THE AMPLIFIER	7 - 8
6. MAINS POWER CONNECTION	8
7. FITTING THE LID	8
8. SWITCHING ON AND OFF	8
9. CHANGING REPLAY SPEED	8
10. ADJUSTING THE VERTICAL TRACKING ANGLE (VTA)	8 - 9
11. ADJUSTING THE AZIMUTH	9
12. USEFUL TIPS	9 - 10
13. MAINTENANCE AND CLEANING	10
TECHNICAL SPECIFICATIONS	10
WARRANTY, SERVICE	11
PACKAGING	12

Dear music lover,

Thank you for purchasing a Pro-Ject Audio Systems record player.

In order to achieve maximum performance and reliability, please study these instructions carefully.



Warning of a hazard for the user, the unit or possible misuse



Important notice

The following instructions for adjusting the cartridge are provided in case the cartridge is replaced by a different model at a later date.

During assembling and adjustment small parts could be lost if they are not carefully placed in a suitable receptacle. Before starting assembly make yourself acquainted with the parts listed above which are correspondingly numbered in the technical drawings above.

Safety instructions

The power supply is used to connect and disconnect the unit from the mains. Make sure that the plug is easily accessible at all times. Hold the plug when unplugging the power cord. Never handle the power cord while your hands are wet or damp.



Avoid letting liquids enter the device. Never place any item containing liquid, like a flower vase, on or near the device. Never spill any liquid on the device. Never place any naked flame sources, like lighted candles, on or near the device. The product shall not be used in damp or wet locations, next to a bathtub, sink, swimming pool or any other similar conditions.

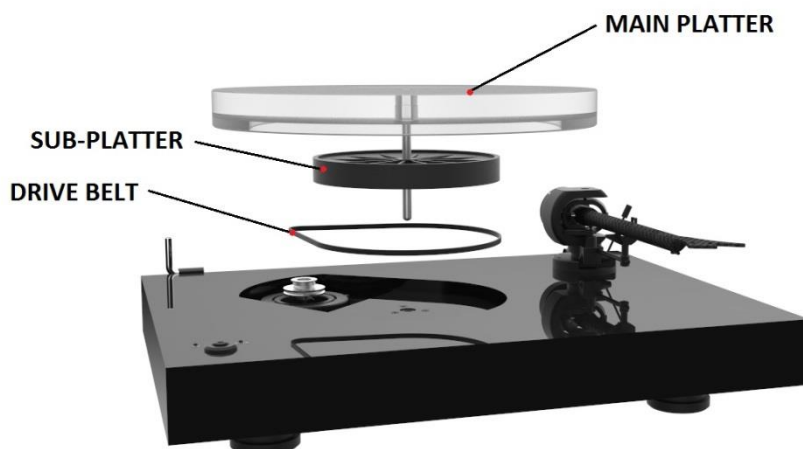
Keep plastic bags away from children to prevent any risk of suffocation.

The turntable was shipped partially disassembled in order to avoid damage to sensitive parts. Please check immediately to make sure that neither the packaging nor the device was damaged in transit.

SETUP AND INSTALLATION

1. PLATTER AND DRIVE BELT ASSEMBLY

Install the drive belt (5) and the main platter (1) as shown in following illustration.



2. MOUNTING AND CONNECTING THE CARTRIDGE

All cartridges with half inch mounting holes can be mounted. Leave the needle's protection cover on, fit the cartridge to the headshell by using the supplied screws by passing one screw through each slot in the headshell (12). Do not tighten the nuts yet.

Connect the tonearm wires with the cartridge pins as follows:

white	left channel positive (L+)
red	right channel positive (R+)
green	right channel return (R-)
blue	left channel return (L-)

The full sound quality of the record player can only be achieved if the cartridge is adjusted correctly. Particular tools like the Pro-Ject Audio Systems alignment tool are required to accomplish this job properly. If you are not well acquainted with the adjustment of cartridges, please call for the willing help of your Pro-Ject Audio Systems dealer.



Please note: adjusting a cartridge and tonearm calls for the greatest care in order to avoid damaging the cartridge or tonearm bearings. Ask your local dealer for help if you are unsure in any of the necessary steps and precautions which must be taken.

3. CARTRIDGE DOWNFORCE ADJUSTMENT

The counterweight (8) supplied is suitable for cartridges weighing between 7 - 12g (counterweight no. 31). Adjust the downforce prior to setting the anti-skating force.

Place counterweight (8) halfway along the counterweight support rod at rear of arm, so that the downforce scale shows towards the front of the player. Lower the armlift and position the cartridge in the space between arm rest and platter. Carefully rotate the counterweight (8) until the armtube balances out. The arm should return to the balanced position if it is moved up or down. This adjustment must be done carefully. Do not forget to remove the cartridge protection cap if fitted.

Once the arm is correctly balanced return it to the rest. Hold the counterweight (8) without moving it, and gently revolve the downforce scale ring until the zero is in line with the anti-skating prong. Check whether the arm still balances out.

Rotate the counterweight counter clockwise (seen from the front) to adjust the downforce according to the cartridge manufacturer's recommendations.

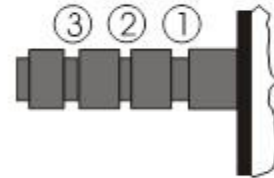


The recommended downforce for the factory fitted cartridge is 23mN.

4. ANTI-SKATING FORCE ADJUSTMENT

Unpack (14) ANTI-SKATING STUB WITH ANTI-SKATING ADJUSTMENT SCALE and screw it into the pre-drilled hole (see image down below). Unpack (13) ANTI-SKATING WEIGHT WITH THREAD and put the anti-skating thread hook over the correct groove for your cartridge's downforce on the anti-skating adjustment scale. The anti-skating force must be adjusted corresponding to the downforce as follows:

Downforce	Groove in the stub (15)
10 - 14mN	1 st from bearing rings
15 - 19mN	2 nd " " "
20mN and bigger	3 rd " " "



Screw ANTI-SKATING STUB into the pre-drilled hole here:



5. CONNECTION TO THE AMPLIFIER

The record player offers gold plated female RCA phono sockets and a mini XLR output for the connection to your amplifier.



To use our True Balanced Connection, your Pro-Ject turntable needs to be equipped with an MC cartridge!

RCA OUTPUT:

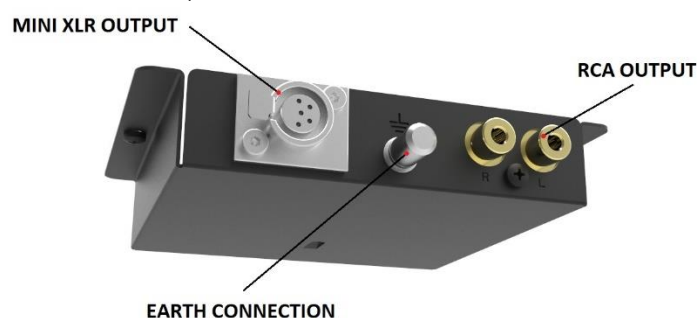
Use the supplied Connect it E Phono cable and connect it to a **Phono** input (sometimes labelled gram, disc or RIAA) on your amplifier. Make sure that the phono input offers correct matching and amplification for the type of cartridge used. Line inputs (like CD, Tuner, Tape or Video) are not suitable.

Take care about connecting the left and right channel correctly. The **RIGHT CHANNEL** is usually marked **RED**, the **LEFT CHANNEL BLACK** or **WHITE**. Check the manual of your amplifier for relevant information. An earthing wire may be connected to the screw terminal between the sockets if you encounter humming problems.

If your amplifier does not have an input suitable for phono cartridges, a separate phono amplifier stage for MM or MC cartridges is required. It has to be connected between record player and a free line level input of the amplifier.

MINI XLR OUTPUT:

To use the mini XLR output & take full advantage of the true balanced connection your turntable needs to be equipped with an MC cartridge. „True Balanced Connection“ phono cables are available separately. You can find more details on our website or ask your Pro-Ject dealer for information.



For detailed product information regarding Pro-Ject Audio Systems interconnect cables and phono amplifiers please visit our website: www.project-audio.com

6. MAINS POWER CONNECTION

The turntable is supplied with a power supply suitable for your country's mains supply. Check the label before connecting to ensure compliance with the mains rating in your house.



Connect the low voltage plug from the power supply to the socket (20) on the rear of the record player before connecting the power supply to the mains.

7. FITTING THE LID

Fit the lid (dust cover 18) carefully over the hinge prongs and adjust the screws (17) until the lid stays open where you want it to without being too stiff to open or close.

8. SWITCHING ON AND OFF

Press the main power button (21) to start the turntable.

9. CHANGING REPLAY SPEED

To play records at 33 r.p.m. press the speed control button (3). Pressing the speed control button one more time selects 45 r.p.m. The selected speed is shown respectively by the flashing LED. When the platter has attained full speed, the LEDs stop flashing.

To be able to play 78 r.p.m. the flat drive belt has to be removed and the round drive belt has to be fitted around the sub-platter (6) and the larger diameter part of the motor pulley (4). To do so the main platter (1) has to be removed.

After the round drive belt has been fitted, pressing the speed control button two times selects 78 r.p.m.. When full speed is attained the LED 45 stops flashing.

10. ADJUSTING THE VERTICAL TRACKING ANGLE (VTA)

Put a record on the platter. When the needle is lowered into the record groove and the tonearm is not resting on the lift arm, the tube of the tonearm should be parallel to the surface of the record.

If it is not, loosen both hexagon screws in the tonearm base just enough to allow vertical movement of the arm pillar without force and slide the arm up or down until it is parallel.

Retighten the hexagon screws without applying excessive force (which would deform the arm pillar) – finger tight is quite sufficient.



11. ADJUSTING THE AZIMUTH

The cartridge needle must be vertical in the record groove in order to trace the groove wall modulations correctly.

A small screw at the bearing end of the arm allows incorrect azimuth to be corrected.

Slacken off the screw just enough to be able to revolve the arm tube without applying force. Note! Do not remove this screw completely!



12. USEFUL TIPS

The lid is not only a dust cover but also a resonant structure likely to be excited by and to pass into the plinth the acoustic energy emanating from your loudspeakers during replay. Therefore, it is recommended to remove the lid for achieving a better sound quality. The record player should be positioned on a low-resonance surface, like wood or multiple layer ply board to avoid structural vibrations disturbing replay.

13. MAINTENANCE AND CLEANING

Your record player requires little or no regular maintenance. Remove dust with a slightly moistened antistatic cloth. Never use a dry cloth because this will create static electricity which attracts even more dust! Antistatic cleaning fluids are available at specialized stores but must be applied sparingly to avoid damage to rubber parts. It is recommended to fit the needle cover before cleaning or maintenance to avoid damage.

If the player is not used over a long period of time, the drive belt should be removed to prevent unequal stretching.



Always disconnect the record player from the mains power supply as a precaution before maintenance!

TECHNICAL SPECIFICATIONS

X2B

Pro-Ject 9" Carbon/Alu sandwich tonearm

Nominal speeds	33/45/78 r.p.m.
Speed variance	33: ± 0.25 % 45: ± 0.20 %
Wow and flutter	33: ± 0.12 % 45: ± 0.10 %
Signal to noise	-70dB
Effective tonearm mass	13.5g
Effective tonearm length	9 " (230mm)
Overhang	18mm
Power consumption	5W/ 0.3W standby mode
Outboard power supply	15V/ 0.8 A DC, universal power supply
Dimensions (W x H x D)	460 x 150 x 340mm, dust cover open 460 x 415 x 435mm
Weight	10 kg

Potential incorrect use and fault conditions

Pro-Ject turntables are manufactured to the highest standards and undergo strict quality controls before leaving the factory. Faults that may possibly occur are not necessarily due to material or production faults but can sometimes be caused by incorrect use or unfortunate circumstances. Therefore, the following list of common fault symptoms is included.

The platter doesn't turn although the unit is switched on:

- The unit is not connected to the mains power supply.
- No mains at the socket.
- Drive belt is not fitted or has slipped off.

No signal through one or other channel or both channels:

- No signal contact from the cartridge to the internal tonearm wiring or from that to the arm lead or from that to the phono box or between that and the amplifier. This could be due to a faulty plug, broken wire or solder joint or simply loose plug/socket connection.
- Phono input not selected at amplifier.
- Amplifier is not switched on.
- Amplifier or speakers are defective or muted.
- No connection to the loudspeakers.

Slight hum noticeable when a record is played back

In this case we recommend removing the foam disk stabilizer underneath the motor. Remove the main platter, sub platter and belt and unhook the suspension rubber to get access to the foam disk. Remove it. Reinstall all the components in reverse order.

Strong hum on phono input:

- No earth connection from cartridge or arm or arm cable to amplifier, or earth loop.

Distorted or inconsistent sound from one or both channels:

- Record player is connected to wrong input of amplifier, or MM/MC switch incorrectly set.
- Needle or cantilever damaged.
- Wrong r.p.m., drive belt overstretched or dirty, platter bearing without oil, dirty or damaged.

Service

Should you encounter a problem which you are not able to alleviate or identify despite the above information, please contact your dealer for further advice. Only when the problem cannot be resolved there should the unit be sent to the responsible distributor in your country.

Guarantee repairs will only be affected if the unit is returned correctly packaged. For this reason we recommend keeping the original packaging.

Never return a record player without making sure that it is safely disassembled and correctly packaged in the original packaging according to the diagrams on the last page of this user guide. Please remove these parts and

pack them separately: lid, counterweight, anti-skating weight, platter and belt. Fit the cartridge protection cap. Insert the transport lock for the tonearm prior to carefully packaging the record player.

Warranty



The manufacturer accepts no responsibility for damage caused by not adhering to these instructions for use and/or by transportation without the original packaging. Modification or change to any part of the product by unauthorized persons, release the manufacturer from any liability over and above the lawful rights of the customer.

Pro-Ject Audio Systems is a Registered Trademark of H. Lichtenegger.

This guide was produced by: Pro-Ject Audio Systems
Copyright © 2025. All rights reserved.

The information was correct at the time of going to press. The manufacturer reserves the right to make changes to the technical specification without prior notice as deemed necessary to uphold the ongoing process of technical development.

