



Assembly Instructions
Rack it

Content:

- 2 Boards with the dimensions 536 x 25 x 440 mm (WxHxD)
- 2 Boards with the dimensions 440 x 25 x 376 mm (WxHxD)
- 8 Pieces metal dowels
- 16 Pieces wooden dowels
- 8 Pieces plastic heads
- 8 Pieces Cam Lock Nuts

Needed (not supplied):

- 1 Phillips head screwdriver

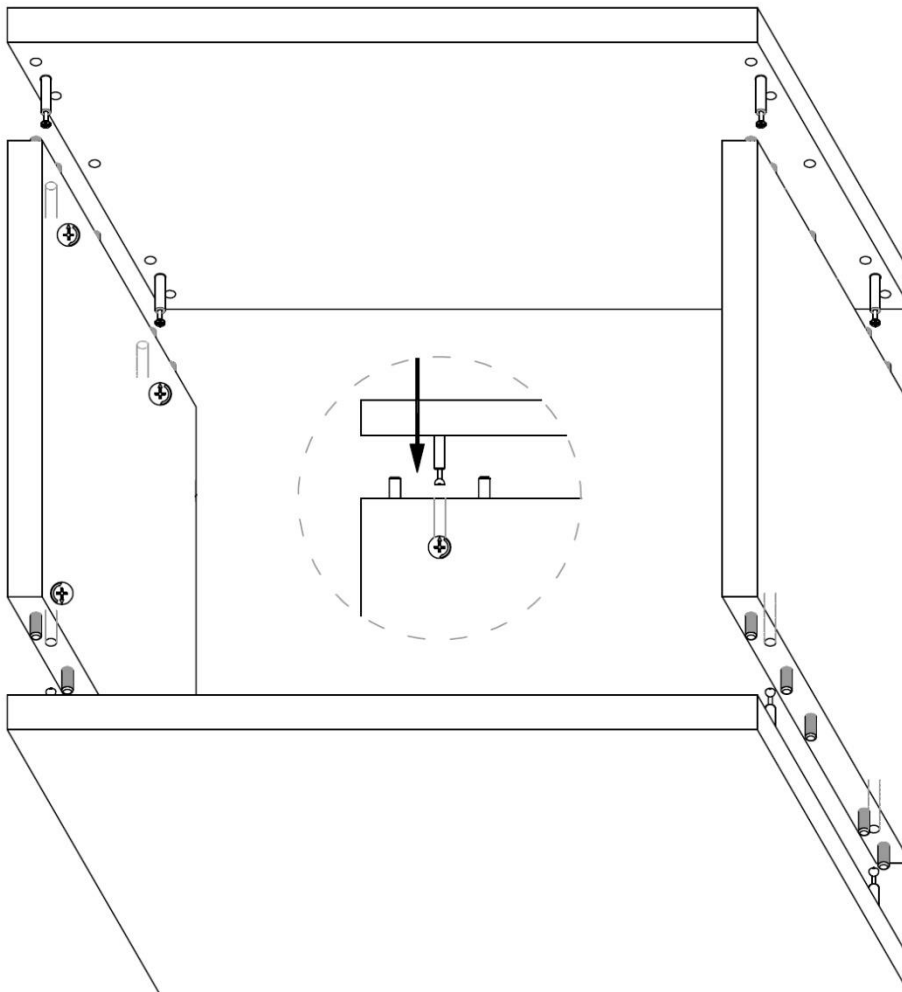
Preparation

Please remove the protection film from the boards.

Put the plastic heads on the threads of the metal dowels.

Place the metal- and wooden dowels according to the picture below. The Cam Lock Nuts have to be placed in the respective holes of the smaller boards. When you put the boards together, please twist the Cam Lock Nuts clock-wise, then the boards are fixed together and Rack it is finished.

Assembly



Service

Should you encounter a problem which you are not able to alleviate or identify despite the above information, please contact your dealer for further advice. Only when the problem cannot be resolved there should the unit be sent to the responsible distributor in your country.

Guarantee repairs will only be effected if the unit is returned correctly packaged. For this reason we recommend keeping the original packaging.

Never return a record player without making sure that it is safely disassembled and correctly packaged in the original packaging according to the diagrams on the last page of this user guide. Please remove these parts and pack them separately: lid (10), counterweight (6), anti-skating weight (16) platter (5) and belt (3). Fit the cartridge protection cap. Insert the transport lock for the tonearm (18) prior to carefully packaging the record player.

Warranty



The manufacturer accepts no responsibility for damage caused by not adhering to these instructions for use and/or by transportation without the original packaging. Modification or change to any part of the product by unauthorized persons release the manufacturer from any liability over and above the lawful rights of the customer.

Pro-Ject Audio Systems is a Registered Trademark
of H. Lichtenegger.

This guide was produced by: Pro-Ject Audio Systems
Copyright © 2018. All rights reserved.

The information was correct at the time of going to press. The manufacturer reserves the right to make changes to the technical specification without prior notice as deemed necessary to uphold the ongoing process of technical development.